

VX Series

Diesel and LP Gas Forklift Trucks

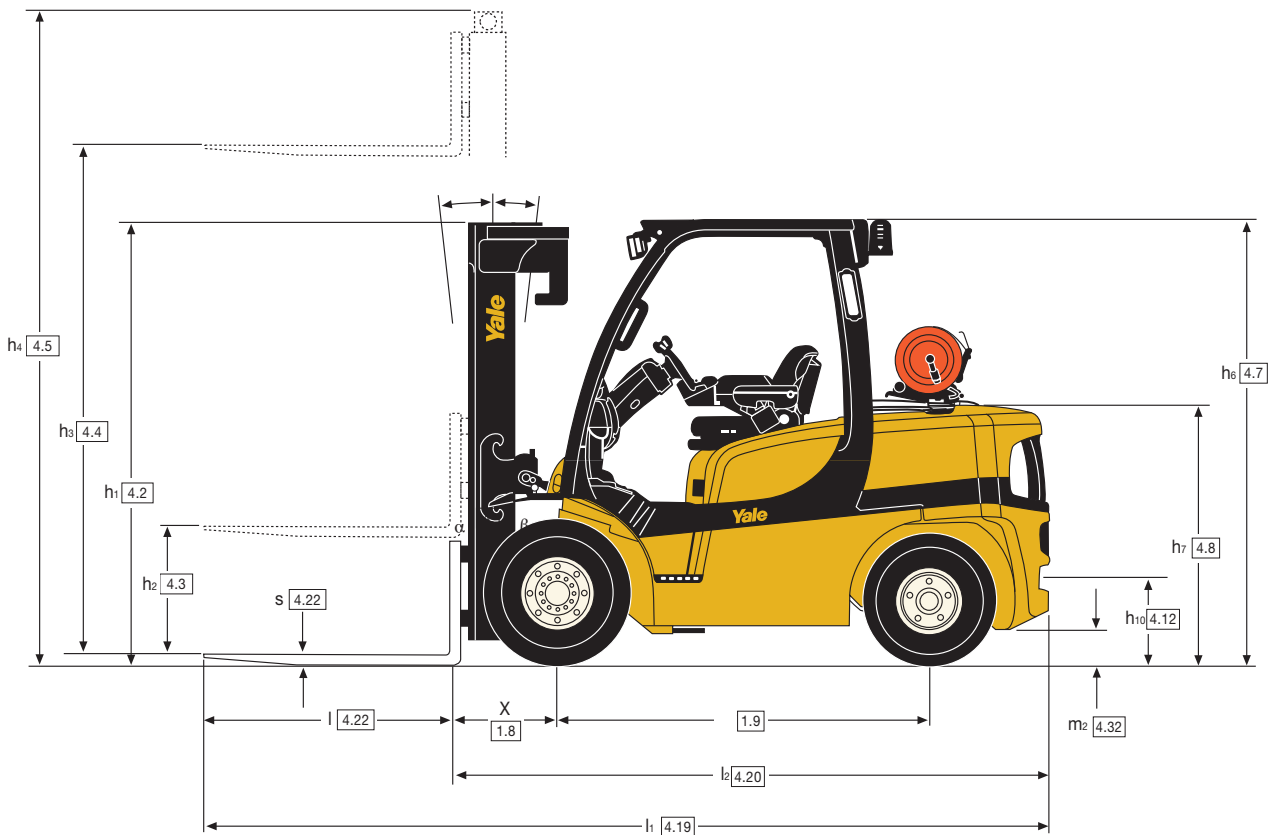
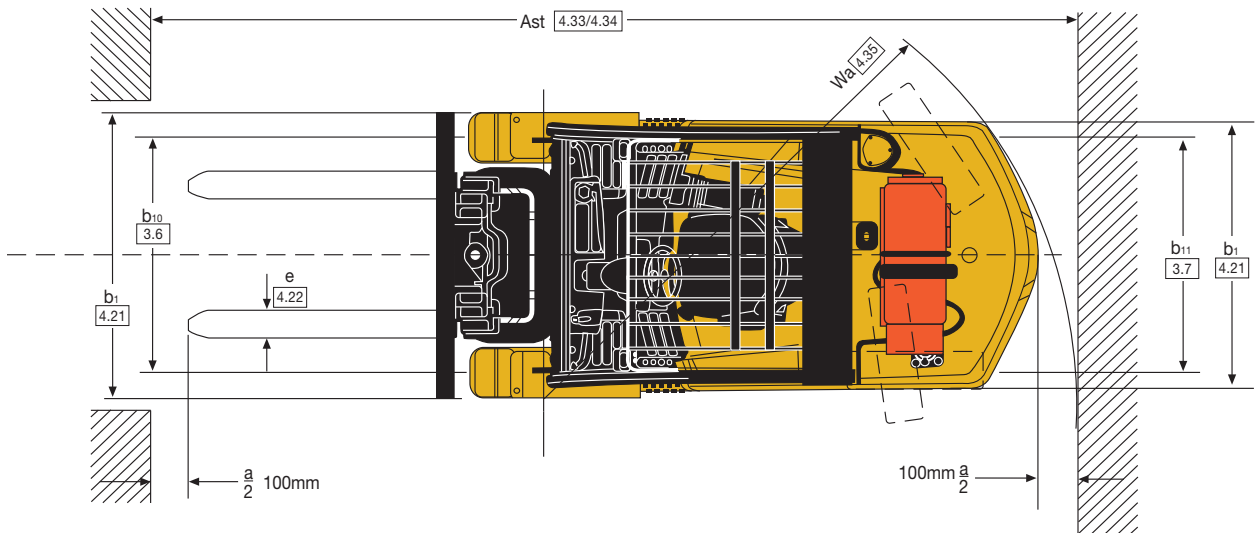
4,000kg, 4,500kg, 5,000kg and 5,500kg



- Intellix Vehicle Management System
- 5 application matched transmissions, including the Worlds' best hydrodynamic transmission - the Yale Techtronix 200X
- Oil immersed brakes
- ADS - Auto Deceleration System on Techtronix 100 transmission
- Controlled roll-back
- CANbus technology
- Accutouch minilevers and manual levers
- Supercushion, pneumatic and Michelin XZM radial tyres

Yale 
People. Products. Productivity.

Truck Dimensions



Engine Specifications

LP Engine Specification

Engine	GM
Cylinders	V6
Displacement	4.3 litre
Power	77 kW @ 2,400rpm
Torque	305 Nm @ 2,400rpm

Diesel Engine Specification

Engine	Kubota
Cylinders	Inline 4
Displacement	3.6 / 3.8 litre
Power	57 kW / 55 kW @ 2,200rpm
Torque	296 Nm @ 1,600rpm / 309 Nm @ 1,400rpm

Options

- Oil immersed brakes
- Powertrain protection system
- Premium monitoring package
- High air intake with pre-cleaner
- Accumulator
- Keyless start (with auxiliary key switch)
- Traction speed limiter
- Swing-out, drop-down EZ-Tank bracket
- Right hand armrest incorporating Accutouch minilever electro-hydraulic controls, direction switch and horn button
- Return-to-set tilt
- Swivel full suspension seat
- Foot directional control
- Operator password
- Mirrors - dual side view
- Alarm-reverse actuated 82-102dB(A) - self adjusting
- Amber strobe light - continuous activated
- Impact monitor
- Paper applications kit
- 4 function (2 aux) hydraulic control valve
- Load weight indicator

Mast details and capacity ratings (kg) - Supercushion tyres

Model							GLP/GDP 40VX5						GLP/GDP 40VX6			
Tyres							250 x 15						250 x 15			
Width across tyres							1402mm						1402mm			
Mast	OAH h1	FFH h2+s	MFH h3+s	h4	Tilt		Forks			Integral side shift			Forks		Integral side shift	
					F	B	500 LC	600 LC	700 LC	500 LC	600 LC	700 LC	600 LC	700 LC	600 LC	700 LC
2-Stage LFL (V)	2175	150	3050	3815	6	10	4000	3670	3620	4000	3670	3540	4000	3930	4000	3830
	2475	150	3650	4415	6	10	4000	3670	3610	4000	3670	3520	4000	3910	4000	3820
	2775	150	4250	5015	6	10	4000	3670	3590	4000	3670	3510	4000	3900	4000	3800
	3225	150	4950	5715	6	6	3890	3570	3470	3890	3570	3380	3890	3770	3890	3670
2-Stage FFL (F)	2175	1355	3075	3890	6	10	4000	3670	3490	4000	3670	3420	4000	3790	4000	3710
	2475	1655	3675	4490	6	10	4000	3670	3480	4000	3670	3400	4000	3770	4000	3690
3-Stage FFL (E)	2175	1355	4415	5225	6	6	4000	3670	3450	4000	3670	3390	4000	3740	4000	3680
	2375	1555	4950	5765	6	6	3880	3560	3330	3880	3560	3280	3880	3620	3870	3560
	2475	1655	5250	6065	6	6	3810	3500	3260	3810	3490	3210	3810	3550	3790	3490
	2575	1755	5550	6365	6	6	3730	3430	3190	3730	3410	3140	3740	3480	3710	3420
	2775	1955	6000	6815	6	6	3610	3310	3070	3590	3280	3020	3620	3350	3580	3300

Mast details and capacity ratings (kg) - Supercushion tyres

Model							GLP/GDP 45SVX5						GLP/GDP 45VX6			
Tyres							250 x 15						300 x 15			
Width across tyres							1402mm						1450mm			
Mast	OAH h1	FFH h2+s	MFH h3+s	h4	Tilt		Forks			Integral side shift			Forks		Integral side shift	
					F	B	500 LC	600 LC	700 LC	500 LC	600 LC	700 LC	600 LC	700 LC	600 LC	700 LC
2-Stage LFL (V)	2215	160	2800	3730	6	10	4500	4000	3940	4500	4000	3830	4500	4400	4500	4280
	2515	160	3400	4330	6	10	4500	4000	3930	4500	4000	3810	4500	4390	4500	4260
	2815	160	4000	4930	6	10	4500	4000	3910	4500	4000	3800	4500	4370	4500	4250
	3265	160	4700	5630	6	6	4390	3900	3790	4340	3900	3680	4390	4240	4390	4120
	3665	160	5300	6230	6	6	4240	3770	3630	4160	3770	3530	4250	4080	4250	3960
	4065	160	5900	6830	6	6	4070*	3620*	3470*	3970*	3620*	3370*	4100	3910	4100	3800
2-Stage FFL (F)	2215	1230	2825	3810	6	10	4500	4000	3910	4480	4000	3800	4500	4370	4500	4250
	2515	1530	3425	4410	6	10	4500	4000	3900	4460	4000	3780	4500	4350	4500	4230
3-Stage FFL (E)	2215	1230	4145	5130	6	6	4500	4000	3860	4420	4000	3750	4500	4320	4500	4190
	2515	1530	5000	5985	6	6	4300	3820	3670	4200	3820	3560	4310	4120	4310	4000
	2615	1630	5300	6285	6	6	4230	3760	3600	4120	3760	3490	4240	4040	4240	3930

1 2 3 4 5 6 7 8 9 10

Mast details and capacity ratings (kg) - Supercushion tyres

Model							GLP/GDP 50VX				GLP/GDP 55VX			
Tyres							300 x 15				300 x 15			
Width across tyres							1450mm				1450mm			
Mast	OAH h1	FFH h2+s	MFH h3+s	h4	Tilt		Forks		Integral side shift		Forks		Integral side shift	
					F	B	600 LC	700 LC	600 LC	700 LC	600 LC	700 LC	600 LC	700 LC
2-Stage LFL (V)	2215	160	2800	3730	6	10	5000	4870	5000	4730	5500	5340	5500	5200
	2515	160	3400	4330	6	10	5000	4850	5000	4720	5500	5330	5500	5180
	2815	160	4000	4930	6	10	5000	4840	5000	4700	5500	5310	5500	5170
	3265	160	4700	5630	6	6	4890	4700	4890	4570	5380	5170	5380	5030
	3665	160	5300	6230	6	6	4740	4540	4740	4410	5230	5000	5230	4860
	4065	160	5900	6830	6	6	4580	4360	4580	4230	5050	4810	5050	4680
2-Stage FFL (F)	2215	1230	2825	3810	6	10	5000	4840	5000	4700	5500	5310	5500	5170
	2515	1530	3425	4410	6	10	5000	4820	5000	4690	5500	5300	5500	5150
3-Stage FFL (E)	2215	1230	4145	5130	6	6	5000	4780	5000	4650	5500	5260	5500	5120
	2515	1530	5000	5985	6	6	4800	4570	4800	4450	5290	5040	5290	4910
	2615	1630	5300	6285	6	6	4730	4490	4730	4370	5210	4960	5210	4820

11 12 13 14 15 16 17 18

Capacity ratings specific to Michelin radial tyres (see footnote)

GLP/GDP 45SVX5						GLP/GDP 45VX6				GLP/GDP 45VX6				GLP/GDP 55VX			
250/70-R15						315/70-R15				315/70-R15				315/70-R15			
1	2	3	4	5	6	7	8	9	10	11	12	13	14	15	16	17	18
			4480														
				3680						4880		4880		5380*	5170*	5380*	5030*
4390	4230*	3760*	3630*	4160*	3760*	3520*	4250*	4080*	4250*	3960*	4730*	4530*	4730*	4400*	5220*	4990*	5220*
4070**	3620**	3470**	3970**	3620**	3360**	4090**	3900**	4090**	3790**	4570**	3360**	4570**	4230**	5050**	4810**	5050**	4680**
4270*	3820*	3660*	4200*	3820*	3560*	4310*	4110*	4310*	4000*	4800*	4570*	4800*	4450*	5290*	5030*	5290*	4900*
4220**	3750**	3590**	4120**	3750**	3490**	4240**	4030**	4240**	3920**	4730**	4490**	4730**	4370**	5210**	4960**	5210**	4820**

Data for radial tyres is the same as in the above three Supercushion tables, except for figures indicated by column number and shaded area.

* Wide tread tyres or dual drive wheels required.

** Dual drive wheels required.

A full range of Yale Hi-Vis™ 2 stage LFL and 2 and 3 stage FFL masts are available.

Yale Hi-Vis™ masts are designed for maximum visibility, with widely spaced channels, lift chains and main lift cylinders.

VDI 2198 – General Specifications, Diesel Powered GDP40VX(5), GDP40VX(6), GDP45SVX(5), GDP45VX(6)

		Yale				Yale						
		GDP 40 VX5				GDP 40 VX6						
		Base		Base		Base		Base				
		Kubota 3.6L Standard Electronic 1-speed		Kubota 3.6L Standard Electronic 2-speed		Kubota 3.6L Standard Electronic 1-speed		Kubota 3.6L Standard Electronic 2-speed				
Characteristics	1.1	Manufacturer										
	1.2	Model designation										
		Model - Manufacturer Designation										
		Power Train - Engine Transmission										
		Brake type		Drum		Drum		Drum				
	1.3	Power: battery, diesel, LPG, electric mains		Diesel		Diesel		Diesel				
	1.4	Operation: manual, pedestrian, stand, seat, order picker		Seat		Seat		Seat				
	1.5	Load capacity	Q (kg)	4000		4000		4000				
	1.6	Load centre	c (mm)	500		500		600				
	1.8	Load distance	x (mm)	522.1		522.1		522.1				
1.9	Wheelbase	y (mm)	1830		1830		1830					
Weights	2.1	Unladen weight		6298		6298		6672				
	2.2	Axle loading laden, front/rear		8849	1077	8849	1077	8910	1390			
	2.3	Axle loading unladen, front/rear		2923	3375	2923	3375	3003	3669			
Wheels & Tyres	3.1	Tyres: L = Pneumatic, V = Cushion, SE = Supercushion		SE		SE		SE				
	3.2	Tyre size-front		250 x 15		250 X 15		250 x 15				
	3.3	Tyre size-rear		7.00 x 12		7.00 X 12		7.00 X 12				
	3.5	Number of wheels, front/rear (X = driven)		2X / 2		2X / 2		2X / 2				
	3.6	Track width, front	b10 (mm)	1152		1152		1152				
	3.7	Track width, rear	b11 (mm)	1136		1136		1136				
	Dimensions	4.1	Mast tilt, forward α /back β		6	10	6	10	6	10		
4.2		Height of mast, lowered		2175		2175		2175				
4.3		Free lift \blacktriangle		100		100		100				
4.4		Lift height \blacktriangle		3000		3000		3000				
4.5		Height of mast, extended \blackplus		3815		3815		3815				
4.7		Height to top of overhead guard \circ		2258		2258		2258				
4.8		Seat height \times		1159		1159		1159				
4.12		Towing coupling height		429		429		429				
4.19		Overall length		3945		3945		4176				
4.20		Length to face of forks		2945		2945		2976				
4.21		Overall width, (Standard/Wide/Dual)		1402	1485	1773	1402	1485	1773	1402	1485	1773
4.22		Fork dimensions		50 x 120 x 1000		50 x 120 x 1000		50 x 120 x 1200		50 x 120 x 1200		
4.23		Fork carriage to DIN 15173. Class, A/B		IIIA		IIIA		IIIA		IIIA		
4.24		Fork carriage width \blacktriangleright		1219		1219		1219		1219		
4.31		Ground clearance under mast, laden		151		151		150		150		
4.32		Ground clearance at centre of wheelbase		194		194		194		194		
4.33		Aisle width with pallets 1000mm x 1200mm wide		4292		4292		4321		4321		
4.34	Aisle width with pallets 800mm x 1200mm long		4492		4492		4521		4521			
4.35	Outer turning radius		2570		2570		2599		2599			
4.36	Inner turning radius		50		50		50		50			
Performance	5.1	Travel speed laden/unladen		20.6	21.1	24.0	24.5	20.6	21.1	24.0	24.5	
	5.2	Lifting speed (2LFL) laden/unladen		0.62	0.67	0.62	0.67	0.62	0.67	0.62	0.67	
	5.3	Lowering speed (2LFL) laden/unladen		0.55	0.47	0.55	0.47	0.55	0.47	0.55	0.47	
	5.5	Drawbar pull laden/unladen, @ 1.6km/h		22800	17500	29900	17500	22700	18000	29800	18000	
	5.6	Maximum drawbar pull laden/unladen		25900	17500	35600	17500	25800	18000	35500	18000	
	5.7	Gradeability laden/unladen, @ 4.8km/h		18.2	29.6	21.7	29.6	17.0	28.7	20.4	28.7	
	5.8	Maximum gradeability laden/unladen, @ 1.6km/h		24.6	29.6	32.8	29.6	23.1	28.7	30.8	28.7	
	5.10	Service brake		Hydraulic		Hydraulic		Hydraulic		Hydraulic		
Motor	7.1	Engine manufacturer/type \bullet		Kubota 3.6L		Kubota 3.6L		Kubota 3.6L		Kubota 3.6L		
	7.2	Engine output, in accordance with ISO1585		57		57		57		57		
	7.3	Governed speed		2400		2400		2400		2400		
	7.4	Number of cylinders/displacement		4	3620	4	3620	4	3620	4	3620	
	7.5	Fuel consumption in accordance with VDI cycle		5.98		6.21		6.05		6.26		
Other	8.1	Drive control		Hydrodynamic		Hydrodynamic		Hydrodynamic		Hydrodynamic		
	8.2	Working pressure for attachments		155		155		155		155		
	8.3	Oil flow for attachments \downarrow		83.3		83.3		83.3		83.3		
	8.4	Average noise level at operator's ear \star		80	80	80	80	80	80	80	80	
		Guaranteed sound power 2001/14/EC		104		104		104		104		
8.5	Towing coupling type		Pin		Pin		Pin		Pin			

\star Measured according to the test cycles and based on the weighting values contained in EN12053

\blacktriangle Top of forks
 \updownarrow Variable

\times Full suspension seat in depressed position

\blacktriangleright Add 32mm with load backrest

\circ h6 subject to +/- 5mm tolerance

\blackplus Without load backrest

\bullet Kubota V3600 Diesel engine is only available in territories with category 1 diesel fuel, which contains sulphur levels of over 500ppm. This engine is not compatible with (<500ppm) or Ultra-Low (<15ppm) sulphur diesel fuel.

, GDP50VX, GDP55VX

Yale				Yale				Yale				Yale				1.1		
GDP 45S VX5				GDP 45 VX6				GDP 50 VX6				GDP 55 VX6				1.2		
Base		Base		Base		Base		Base		Base		Base		Base				
Kubota 3.6L Standard Electronic 1-speed		Kubota 3.6L Standard Electronic 2-speed		Kubota 3.6L Standard Electronic 1-speed		Kubota 3.6L Standard Electronic 2-speed		Kubota 3.6L Standard Electronic 1-speed		Kubota 3.6L Standard Electronic 2-speed		Kubota 3.6L Standard Electronic 1-speed		Kubota 3.6L Standard Electronic 2-speed		Characteristics		
Drum		Drum		Oil Immersed		Oil Immersed		Oil Immersed		Oil Immersed		Oil Immersed		Oil Immersed				
Diesel		Diesel		Diesel		Diesel		Diesel		Diesel		Diesel		Diesel			1.3	
Seat		Seat		Seat		Seat		Seat		Seat		Seat		Seat			1.4	
4500		4500		4500		4500		5000		5000		5500		5500			1.5	
500		500		600		500		600		600		600		600			1.6	
522.1		522.1		590		522.1		590		590		590		590			1.8	
1830		1830		2100		1830		2100		2100		2100		2100			1.9	
6630		6630		7224		6630		7523		7523		7808		7808			2.1	
9496	1216	9496	1216	104*	1164	9496	1216	11241	1272	11241	1272	11882	1370	11882	1370		2.2	
2829	3801	2829	3801	3473	3751	2829	3801	3406	4117	3406	4117	3335	4474	3335	4474	2.3		
SE		SE		SE		SE		SE		SE		SE		SE		3.1		
250 x 15		250 X 15		300 x 15		250 X 15		300 x 15		300 X 15		300 x 15		300 X 15		3.2		
7.00 X 12		7.00 X 12		28 X 9-15		7.00 X 12		28 X 9-15		28 X 9-15		28 X 9-15		28 X 9-15		3.3		
2X / 2		2X / 2		2X / 2		2X / 2		2X / 2		2X / 2		2X / 2		2X / 2		3.5		
1152		1152		1150		1152		1150		1150		1150		1150		3.6		
1136		1136		1136		1136		1136		1136		1136		1136		3.7		
6	10	6	10	6	10	6	10	6	10	6	10	6	10	6	10	4.1		
2215		2215		2215		2215		2215		2215		2215		2215		4.2		
100		100		100		100		100		100		100		100		4.3		
2740		2740		2740		2740		2740		2740		2740		2740		4.4		
3730		3730		3730		3730		3730		3730		3730		3730		4.5		
2258		2258		2300		2258		2300		2300		2300		2300		4.7		
1159		1159		1201		1159		1201		1201		1201		1201		4.8		
429		429		472		429		472		472		472		472		4.12		
4197		4197		4456		4197		4499		4499		4540		4540		4.19		
2997		2997		3256		2997		3299		3299		3340		3340		4.20		
1402	1485	1773	1402	1485	1773	1450	1575	1875	1402	1485	1773	1450	1575	1875	1450	1575	1875	4.21
60 x 150 x 1200		60 x 150 x 1200		60 x 150 x 1200		60 x 150 x 1200		60 x 150 x 1200		60 x 150 x 1200		60 x 150 x 1200		60 x 150 x 1200		4.22		
IVA		IVA		IVA		IVA		IVA		IVA		IVA		IVA		4.23		
1219		1219		1219		1219		1219		1219		1219		1219		4.24		
194		194		194		194		194		194		194		194		4.31		
194		194		237		194		237		237		237		237		4.32		
4341		4341		4627		4341		4667		4667		4705		4705		4.33		
4541		4541		4827		4541		4867		4867		4905		4905		4.34		
2619		2619		2837		2619		2877		2877		2915		2915		4.35		
50		50		131		50		131		131		131		131		4.36		
20.6	21.1	24.0	24.5	19.3	19.6	24.0	24.5	19.3	19.6	25.3	25.7	19.3	19.6	25.3	25.7	5.1		
0.45	0.49	0.45	0.49	0.45	0.49	0.45	0.49	0.45	0.49	0.45	0.49	0.45	0.49	0.45	0.49	5.2		
0.51	0.42	0.51	0.42	0.51	0.42	0.51	0.42	0.51	0.42	0.51	0.42	0.51	0.42	0.51	0.42	5.3		
22700	17000	29700	17000	24000	21300	29700	17000	23900	20900	28100	20900	23700	20600	28000	20600	5.5		
25700	17000	35400	17000	27500	21300	35400	17000	27300	20900	33200	20900	27200	20600	33100	20600	5.6		
16.6	27.1	19.9	27.1	15.7	31.5	19.9	27.1	14.6	26.6	16.3	26.6	13.7	27.9	15.3	27.9	5.7		
22.0	27.1	30.0	27.1	21.6	31.5	30.0	27.1	20.1	29.6	23.9	29.6	18.9	27.9	22.4	27.9	5.8		
Hydraulic		Hydraulic		Hydraulic		Hydraulic		Hydraulic		Hydraulic		Hydraulic		Hydraulic		5.10		
Kubota 3.6L		Kubota 3.6L		Kubota 3.6L		Kubota 3.6L		Kubota 3.6L		Kubota 3.6L		Kubota 3.6L		Kubota 3.6L		7.1		
57		57		57		57		57		57		57		57		7.2		
2400		2400		2400		2400		2400		2400		2400		2400		7.3		
4	3620	4	3620	4	3620	4	3620	4	3620	4	3620	4	3620	4	3620	7.4		
6.72		6.72		7.22		6.72		7.93		7.55		8.63		8.02		7.5		
Hydrodynamic		Hydrodynamic		Hydrodynamic		Hydrodynamic		Hydrodynamic		Hydrodynamic		Hydrodynamic		Hydrodynamic		8.1		
155		155		155		155		155		155		155		155		8.2		
83.3		83.3		83.3		83.3		83.3		83.3		83.3		83.3		8.3		
80	80	80	80	80	80	80	80	80	80	80	80	80	80	80	80	8.4		
104		104		104		104		104		104		104		104				
Pin		Pin		Pin		Pin		Pin		Pin		Pin		Pin		8.5		

Specification sheet truck based on:
 3050mm (GDP 40VX5-GDP 40VX6) / 2800mm (GDP 45SVX5-GDP 55VX)
 Top of Forks 2 stage LFL mast with standard carriage, 1000mm (GDP 40VX5) / 1200mm (GDP 40VX6-GDP 55VX) forks with manual hydraulics.

VDI 2198 – General Specifications, Diesel Powered GDP40VX(5), GDP40VX(6), GDP45SVX(5), GDP45VX(6)

		Yale							
		GDP 40 VX5							
		Value		Value		Productivity		Value	
Characteristics	1.1	Manufacturer							
	1.2	Model designation							
		Model - Manufacturer Designation							
		Power Train - Engine Transmission		Kubota 3.8L Techtronix 100		Kubota 3.8L Techtronix 100X		Kubota 3.8L Techtronix 200X	
		Brake type		Drum		Drum or Oil Immersed		Oil Immersed	
	1.3	Power: battery, diesel, LPG, electric mains		Diesel		Diesel		Diesel	
	1.4	Operation: manual, pedestrian, stand, seat, order picker		Seat		Seat		Seat	
	1.5	Load capacity	Q (kg)	4000		4000		4000	
	1.6	Load centre	c (mm)	500		500		600	
	1.8	Load distance	x (mm)	522.1		522.1		522.1	
1.9	Wheelbase	y (mm)	1830		1830		1830		
Weights	2.1	Unladen weight		kg		6298		6298	
	2.2	Axle loading laden, front/rear		kg		8849 1077		8849 1077	
	2.3	Axle loading unladen, front/rear		kg		2923 3375		2923 3375	
Wheels & Tyres	3.1	Tyres: L = Pneumatic, V = Cushion, SE = Supercushion		SE		SE		SE	
	3.2	Tyre size-front		250 x 15		250 x 15		250 x 15	
	3.3	Tyre size-rear		7.00 x 12		7.00 x 12		7.00 x 12	
	3.5	Number of wheels, front/rear (X = driven)		2X / 2		2X / 2		2X / 2	
	3.6	Track width, front	b10 (mm)	1152		1152		1152	
	3.7	Track width, rear	b11 (mm)	1136		1136		1136	
	Dimensions	4.1	Mast tilt, forward α /back β	degrees	6	10	6	10	6
4.2		Height of mast, lowered	h1 (mm)	2175		2175		2175	
4.3		Free lift \blacktriangle	h2 (mm)	100		100		100	
4.4		Lift height \blacktriangle	h3 (mm)	3000		3000		3000	
4.5		Height of mast, extended \blackplus	h4 (mm)	3815		3815		3815	
4.7		Height to top of overhead guard \circ	h6 (mm)	2258		2258		2258	
4.8		Seat height \times	h7 (mm)	1159		1159		1159	
4.12		Towing coupling height	h10 (mm)	429		429		429	
4.19		Overall length	l1 (mm)	3945		3945		4176	
4.20		Length to face of forks	l2 (mm)	2945		2945		2976	
4.21		Overall width, (Standard/Wide/Dual)	b1/b2 (mm)	1402	1485	1773	1402	1485	1773
4.22		Fork dimensions	s/e/l (mm)	50 x 120 x 1000		50 x 120 x 1000		50 x 120 x 1000	
4.23		Fork carriage to DIN 15173. Class, A/B		IIIA		IIIA		IIIA	
4.24		Fork carriage width \blacktriangleright	b3 (mm)	1219		1219		1219	
4.31		Ground clearance under mast, laden	m1 (mm)	151		151		150	
4.32		Ground clearance at centre of wheelbase	m2 (mm)	194		194		194	
4.33		Aisle width with pallets 1000mm x 1200mm wide	Ast (mm)	4292		4292		4321	
4.34	Aisle width with pallets 800mm x 1200mm long	Ast (mm)	4492		4492		4521		
4.35	Outer turning radius	Wa (mm)	2570		2570		2599		
4.36	Inner turning radius	b13 (mm)	50		50		50		
Performance	5.1	Travel speed laden/unladen	km/h	19.3	19.8	22.4	22.9	21.2	21.6
	5.2	Lifting speed (2LFL) laden/unladen	m/sec	0.62	0.63	0.62	0.63	0.62	0.63
	5.3	Lowering speed (2LFL) laden/unladen	m/sec	0.55	0.47	0.55	0.47	0.55	0.47
	5.5	Drawbar pull laden/unladen, @ 1.6km/h	N	24400	17500	32400	17500	25800	17500
	5.6	Maximum drawbar pull laden/unladen	N	27500	17500	37800	17500	25800	17500
	5.7	Gradeability laden/unladen, @ 4.8km/h	%	19.7	29.6	23.8	29.6	24.4	29.6
	5.8	Maximum gradeability laden/unladen, @ 1.6km/h	%	26.4	29.6	35.5	29.6	28.4	29.6
	5.10	Service brake		Hydraulic		Hydraulic		Hydraulic	
Motor	7.1	Engine manufacturer/type \bullet		Kubota 3.8L		Kubota 3.8L		Kubota 3.8L	
	7.2	Engine output, in accordance with ISO1585	kW	55		55		55	
	7.3	Governed speed	rpm	2200		2200		2200	
	7.4	Number of cylinders/displacement	cm3	4	3769	4	3769	4	3769
	7.5	Fuel consumption in accordance with VDI cycle	l/h	4.01		4.18		TBA	
Other	8.1	Drive control		Hydrodynamic		Hydrodynamic		Hydrodynamic	
	8.2	Working pressure for attachments	bar	155		155		155	
	8.3	Oil flow for attachments \downarrow	l/min	83.3		83.3		83.3	
	8.4	Average noise level at operator's ear \star	dB(A)	79	79	79	79	79	79
		Guaranteed sound power 2001/14/EC		104		104		104	
8.5	Towing coupling type		Pin		Pin		Pin		

\star Measured according to the test cycles and based on the weighting values contained in EN12053

\blacktriangle Top of forks

\updownarrow Variable

\times Full suspension seat in depressed position

\blacktriangleright Add 32mm with load backrest

\circ h6 subject to +/- 5mm tolerance

\blackplus Without load backrest

\bullet Kubota V3800 3.8L Diesel engine is equipped with a cooled EGR system, which requires the use of Low (<500ppm) or Ultra-Low (<15ppm) sulphur fuel.

, GDP50VX, GDP55VX

Yale				Yale				Yale				1.1								
GDP 40 VX6				GDP 45 SVX5				GDP 45 VX6				1.2								
Value		Productivity		Value		Value		Productivity		Value		Value		Productivity						
Kubota 3.8L Techtronix 100X		Kubota 3.8L Techtronix 200X		Kubota 3.8L Techtronix 100		Kubota 3.8L Techtronix 100X		Kubota 3.8L Techtronix 200X		Kubota 3.8L Techtronix 100		Kubota 3.8L Techtronix 100X		Kubota 3.8L Techtronix 200X						
Drum or Oil Immersed		Oil Immersed		Drum		Drum or Oil Immersed		Oil Immersed		Oil Immersed		Oil Immersed		Oil Immersed						
Diesel		Diesel		Diesel		Diesel		Diesel		Diesel		Diesel		Diesel						
Seat		Seat		Seat		Seat		Seat		Seat		Seat		Seat						
4000		4000		4500		4500		4500		4500		4500		4500						
600		600		500		500		500		600		600		600						
522.1		522.1		522.1		522.1		522.1		590		590		590						
1830		1830		1830		1830		1830		2100		2100		2100						
6672		6672		6630		6630		6630		7224		7224		7224						
8910	1390	8910	1390	9496	1216	9496	1216	9496	1216	104*	1164	104*	1164	104*	1164					
3003	3669	3003	3669	2829	3801	2829	3801	2829	3801	3473	3751	3473	3751	3473	3751					
SE		SE		SE		SE		SE		SE		SE		SE						
250 x 15		250 x 15		250 x 15		250 x 15		250 x 15		300 x 15		300 x 15		300 x 15						
7.00 x 12		7.00 x 12		7.00 x 12		7.00 x 12		7.00 x 12		28 x 9-15		28 x 9-15		28 x 9-15						
2X / 2		2X / 2		2X / 2		2X / 2		2X / 2		2X / 2		2X / 2		2X / 2						
1152		1152		1152		1152		1152		1150		1150		1150						
1136		1136		1136		1136		1136		1136		1136		1136						
6	10	6	10	6	10	6	10	6	10	6	10	6	10	6	10					
2175		2175		2215		2215		2215		2215		2215		2215						
100		100		100		100		100		100		100		100						
3000		3000		2740		2740		2740		2740		2740		2740						
3815		3815		3730		3730		3730		3730		3730		3730						
2258		2258		2258		2258		2258		2300		2300		2300						
1159		1159		1159		1159		1159		1201		1201		1201						
429		429		429		429		429		472		472		472						
4176		4176		4197		4197		4197		4456		4456		4499						
2976		2976		2997		2997		2997		3256		3256		3256						
1402	1485	1773	1402	1485	1773	1402	1485	1773	1402	1485	1773	1450	1575	1875	1450	1575	1875	1450	1575	1875
50 x 120 x 1200		50 x 120 x 1200		60 x 150 x 1200		60 x 150 x 1200		60 x 150 x 1200		60 x 150 x 1200		60 x 150 x 1200		60 x 150 x 1200		60 x 150 x 1200				
IIIA		IIIA		IVA		IVA		IVA		IVA		IVA		IVA						
1219		1219		1219		1219		1219		1219		1219		1219						
150		150		194		194		194		194		194		194						
194		194		194		194		194		237		237		237						
4321		4321		4341		4341		4341		4627		4627		4627						
4521		4521		4541		4541		4541		4827		4827		4827						
2599		2599		2619		2619		2619		2837		2837		2837						
50		50		50		50		50		131		131		131						
22.4	22.9	21.2	21.6	19.3	19.8	22.4	22.9	21.2	21.6	18.1	18.4	23.7	24.1	21.2	21.7					
0.62	0.63	0.62	0.63	0.45	0.46	0.45	0.46	0.45	0.46	0.45	0.46	0.45	0.46	0.45	0.46					
0.55	0.47	0.55	0.47	0.51	0.42	0.51	0.42	0.51	0.42	0.51	0.42	0.51	0.42	0.51	0.42					
31900	18000	25800	18000	24300	17000	31900	17000	25800	17000	25700	21300	30300	21300	25800	21300					
37700	18000	25800	18000	27400	17000	37700	17000	25800	17000	29200	21300	35500	21300	25800	21300					
22.4	28.7	22.9	28.7	18.0	27.1	21.8	27.1	22.4	27.1	17.1	31.5	19.2	31.5	20.1	31.5					
33.3	28.7	26.4	28.7	24.2	27.1	32.4	27.1	25.8	27.1	23.3	31.5	27.7	31.5	23.4	31.5					
Hydraulic		Hydraulic		Hydraulic		Hydraulic		Hydraulic		Hydraulic		Hydraulic		Hydraulic						
Kubota 3.8L		Kubota 3.8L		Kubota 3.8L		Kubota 3.8L		Kubota 3.8L		Kubota 3.8L		Kubota 3.8L		Kubota 3.8L						
55		55		55		55		55		55		55		55						
2200		2200		2200		2200		2200		2200		2200		2200						
4	3769	4	3769	4	3769	4	3769	4	3769	4	3769	4	3769	4	3769					
4.23		TBA		4.73		4.73		TBA		5.21		5.08		5.90						
Hydrodynamic		Hydrodynamic		Hydrodynamic		Hydrodynamic		Hydrodynamic		Hydrodynamic		Hydrodynamic		Hydrodynamic						
155		155		155		155		155		155		155		155						
83.3		83.3		83.3		83.3		83.3		83.3		83.3		83.3						
79	79	79	79	79	79	79	79	79	79	79	79	79	79	79	79					
104		104		104		104		104		104		104		104						
Pin		Pin		Pin		Pin		Pin		Pin		Pin		Pin						

Characteristics

Weights

Wheels & Tyres

Dimensions

Performance

Motor

Other

Specification sheet truck based on:
 3050mm (GDP 40VX5-GDP 40VX6) / 2800mm (GDP 45SVX5-GDP 55VX)
 Top of Forks 2 stage LFL mast with standard carriage, 1000mm (GDP 40VX5) / 1200mm (GDP 40VX6-GDP 55VX) forks with e-hydraulics.

VDI 2198 – General Specifications, Diesel Powered GDP50VX, GDP55VX

		Yale							
		GDP 50 VX6							
		Value		Value					
Characteristics	1.1	Manufacturer	Yale						
	1.2	Model designation	GDP 50 VX6						
		Model - Manufacturer Designation	Value		Value				
		Power Train - Engine Transmission	Kubota 3.8L Techtronix 100		Kubota 3.8L Techtronix 100X				
		Brake type	Oil Immersed		Oil Immersed				
	1.3	Power: battery, diesel, LPG, electric mains	Diesel		Diesel				
	1.4	Operation: manual, pedestrian, stand, seat, order picker	Seat		Seat				
	1.5	Load capacity	Q (kg)	5000		5000			
	1.6	Load centre	c (mm)	600		600			
	1.8	Load distance	x (mm)	590		590			
1.9	Wheelbase	y (mm)	2100		2100				
Weights	2.1	Unladen weight	kg		7523				
	2.2	Axle loading laden, front/rear	kg	11241	1272	11241	1272		
	2.3	Axle loading unladen, front/rear	kg	3406	4117	3406	4117		
Wheels & Tyres	3.1	Tyres: L = Pneumatic, V = Cushion, SE = Supercushion	SE		SE				
	3.2	Tyre size-front	300 x 15		300 x 15				
	3.3	Tyre size-rear	28 X 9-15		28 X 9-15				
	3.5	Number of wheels, front/rear (X = driven)	2X / 2		2X / 2				
	3.6	Track width, front	b10 (mm)	1150		1150			
	3.7	Track width, rear	b11 (mm)	1136		1136			
	Dimensions	4.1	Mast tilt, forward α /back β	degrees	6	10	6	10	
4.2		Height of mast, lowered	h1 (mm)	2215		2215			
4.3		Free lift ▲	h2 (mm)	100		100			
4.4		Lift height ▲	h3 (mm)	2740		2740			
4.5		Height of mast, extended +	h4 (mm)	3730		3730			
4.7		Height to top of overhead guard ○	h6 (mm)	2300		2300			
4.8		Seat height ✕	h7 (mm)	1201		1201			
4.12		Towing coupling height	h10 (mm)	472		472			
4.19		Overall length	l1 (mm)	4499		4499			
4.20		Length to face of forks	l2 (mm)	3299		3299			
4.21		Overall width, (Standard/Wide/Dual)	b1/b2 (mm)	1450	1575	1875	1450	1575	1875
4.22		Fork dimensions	s/e/l (mm)	60 x 150 x 1200		60 x 150 x 1200			
4.23		Fork carriage to DIN 15173. Class, A/B		IVA		IVA			
4.24		Fork carriage width ▶	b3 (mm)	1219		1219			
4.31		Ground clearance under mast, laden	m1 (mm)	194		194			
4.32		Ground clearance at centre of wheelbase	m2 (mm)	237		237			
4.33		Aisle width with pallets 1000mm x 1200mm wide	Ast (mm)	4667		4667			
4.34		Aisle width with pallets 800mm x 1200mm long	Ast (mm)	4867		4867			
4.35		Outer turning radius	Wa (mm)	2877		2877			
4.36		Inner turning radius	b13 (mm)	131		131			
Performance	5.1	Travel speed laden/unladen	km/h	18.1	18.4	23.7	24.1		
	5.2	Lifting speed laden/unladen	m/sec	0.45	0.46	0.45	0.46		
	5.3	Lowering speed laden/unladen	m/sec	0.51	0.42	0.51	0.42		
	5.5	Drawbar pull laden/unladen, @ 1.6km/h	N	25600	20900	30200	20900		
	5.6	Maximum drawbar pull laden/unladen	N	29100	20900	35400	20900		
	5.7	Gradeability laden/unladen, @ 4.8km/h	%	15.9	26.6	17.8	26.6		
	5.8	Maximum gradeability laden/unladen, @ 1.6km/h	%	21.5	29.6	25.8	29.6		
	5.10	Service brake		Hydraulic		Hydraulic			
	Motor	7.1	Engine manufacturer/type	Kubota 3.8L		Kubota 3.8L			
		7.2	Engine output, in accordance with ISO1585	kW	55		55		
7.3		Governed speed	rpm	2200		2200			
7.4		Number of cylinders/displacement	cm3	4	3769	4	3769		
7.5		Fuel consumption in accordance with VDI cycle	l/h	5.90		5.57			
Other	8.1	Drive control	Hydrodynamic		Hydrodynamic				
	8.2	Working pressure for attachments	bar	155		155			
	8.3	Oil flow for attachments †	l/min	83.3		83.3			
	8.4	Average noise level at operator's ear ★ ■	dB(A)	79	79	79	79		
		Guaranteed sound power 2001/14/EC		104		104			
8.5	Towing coupling type		Pin		Pin				

★ Measured according to the test cycles and based on the weighting values contained in EN12053

▲ Top of forks

† Variable

✕ Full suspension seat in depressed position

▶ Add 32mm with load backrest

○ h6 subject to +/- 5mm tolerance

✚ Without load backrest

● Kubota V3800 3.8L Diesel engine is equipped with a cooled EGR system, which requires the use of Low (<500ppm) or Ultra-Low (<15ppm) sulphur fuel.

		Yale						1.1	
		GDP 55 VX6						1.2	
Productivity		Value		Value		Productivity			
Kubota 3.8L Techtronix 200X		Kubota 3.8L Techtronix 100		Kubota 3.8L Techtronix 100X		Kubota 3.8L Techtronix 200X			
Oil Immersed		Oil Immersed		Oil Immersed		Oil Immersed			
Diesel		Diesel		Diesel		Diesel		1.3	
Seat		Seat		Seat		Seat		1.4	
5000		5500		5500		5500		1.5	
600		600		600		600		1.6	
590		590		590		590		1.8	
2100		2100		2100		2100		1.9	
7523		7808		7808		7808		2.1	
11241	1272	11882	1370	11882	1370	11882	1370	2.2	
3406	4117	3335	4474	3335	4474	3335	4474	2.3	
SE		SE		SE		SE		3.1	
300 x 15		300 x 15		300 x 15		300 x 15		3.2	
28 X 9-15		28 X 9-15		28 X 9-15		28 X 9-15		3.3	
2X / 2		2X / 2		2X / 2		2X / 2		3.5	
1150		1150		1150		1150		3.6	
1136		1136		1136		1136		3.7	
6	10	6	10	6	10	6	10	4.1	
2215		2215		2215		2215		4.2	
100		100		100		100		4.3	
2740		2740		2740		2740		4.4	
3730		3730		3730		3730		4.5	
2300		2300		2300		2300		4.7	
1201		1201		1201		1201		4.8	
472		472		472		472		4.12	
4499		4540		4540		4540		4.19	
3299		3340		3340		3340		4.20	
1450	1575	1875	1450	1575	1875	1450	1575	1875	4.21
60 x 150 x 1200		60 x 150 x 1200		60 x 150 x 1200		60 x 150 x 1200		4.22	
IVA		IVA		IVA		IVA		4.23	
1219		1219		1219		1219		4.24	
194		194		194		194		4.31	
237		237		237		237		4.32	
4667		4705		4705		4705		4.33	
4867		4905		4905		4905		4.34	
2877		2915		2915		2915		4.35	
131		131		131		131		4.36	
21.2	21.7	18.1	18.4	23.7	24.1	21.2	21.7	5.1	
0.45	0.46	0.45	0.46	0.45	0.46	0.45	0.46	5.2	
0.51	0.42	0.51	0.42	0.51	0.42	0.51	0.42	5.3	
25800	20900	25500	20600	30100	20600	25800	20600	5.5	
25800	20900	29000	20600	35200	20600	25800	20600	5.6	
18.7	29.6	14.9	27.9	16.7	27.9	17.5	27.9	5.7	
21.9	29.6	20.3	27.9	24.2	27.9	20.6	27.9	5.8	
Hydraulic		Hydraulic		Hydraulic		Hydraulic		5.10	
Kubota 3.8L		Kubota 3.8L		Kubota 3.8L		Kubota 3.8L		7.1	
55		55		55		55		7.2	
2200		2200		2200		2200		7.3	
4	3769	4	3769	4	3769	4	3769	7.4	
TBA		6.56		6.04		TBA		7.5	
Hydrodynamic		Hydrodynamic		Hydrodynamic		Hydrodynamic		8.1	
155		155		155		155		8.2	
83.3		83.3		83.3		83.3		8.3	
79	79	79	79	79	79	79	79	8.4	
104		104		104		104			
Pin		Pin		Pin		Pin		8.5	

Characteristics

Weights

Wheels & Tyres

Dimensions

Performance

Motor

Other

Specification sheet truck based on:
3050mm (GDP 40VX5-GDP 40VX6) / 2800mm (GDP 45SVX5-GDP 55VX)
Top of Forks 2 stage LFL mast with standard carriage, 1000mm (GDP 40VX5) / 1200mm (GDP 40VX6-GDP 55VX) forks with e-hydraulics.

VDI 2198 – General Specifications, LPG Powered GLP40VX(5), GLP40VX(6), GLP45SVX(5), GLP45VX(6)

		Yale											
		GLP 40 VX5											
		Value			Value			Productivity		Value			
Characteristics	1.1	Manufacturer											
	1.2	Model designation											
		Model - Manufacturer Designation											
		Power Train - Engine Transmission		GM 4.3L Techtronix 100		GM 4.3L Techtronix 100X		GM 4.3L Techtronix 200X		GM 4.3L Techtronix 100			
		Brake type		Drum		Drum or Oil Immersed		Oil Immersed		Drum			
	1.3	Power: battery, diesel, LPG, electric mains		LPG		LPG		LPG		LPG			
	1.4	Operation: manual, pedestrian, stand, seat, order picker		Seat		Seat		Seat		Seat			
	1.5	Load capacity	Q (kg)	4000		4000		4000		4000			
	1.6	Load centre	c (mm)	500		500		500		600			
1.8	Load distance	x (mm)	522.1		522.1		522.1		522.1				
1.9	Wheelbase	y (mm)	1830		1830		1830		1830				
Weights	2.1	Unladen weight	kg	6033		6033		6033		6243			
	2.2	Axle loading laden, front/rear	kg	8464	1198	8464	1198	8464	1198	8999	1243		
	2.3	Axle loading unladen, front/rear	kg	2603	3429	2603	3429	2603	3429	2561	3682		
Wheels & Tyres	3.1	Tyres: L = Pneumatic, V = Cushion, SE = Supercushion		SE		SE		SE		SE			
	3.2	Tyre size-front		250 x 15		250 x 15		250 x 15		250 x 15			
	3.3	Tyre size-rear		7.00 X 12		7.00 X 12		7.00 X 12		7.00 X 12			
	3.5	Number of wheels, front/rear (X = driven)		2X / 2		2X / 2		2X / 2		2X / 2			
	3.6	Track width, front	b10 (mm)	1152		1152		1152		1152			
	3.7	Track width, rear	b11 (mm)	1136		1136		1136		1136			
	Dimensions	4.1	Mast tilt, forward α /back β		6	10	6	10	6	10	6	10	
4.2		Height of mast, lowered		h1 (mm)		2175		2175		2175			
4.3		Free lift ▲		h2 (mm)		100		100		100			
4.4		Lift height ▲		h3 (mm)		3000		3000		3000			
4.5		Height of mast, extended +		h4 (mm)		3815		3815		3815			
4.7		Height to top of overhead guard ○		h6 (mm)		2258		2258		2258			
4.8		Seat height ✕		h7 (mm)		1159		1159		1159			
4.12		Towing coupling height		h10 (mm)		429		429		429			
4.19		Overall length		l1 (mm)		3945		3945		4176			
4.20		Length to face of forks		l2 (mm)		2945		2945		2976			
4.21		Overall width, (Standard/Wide/Dual)		b1/b2 (mm)	1402	1485	1773	1402	1485	1773	1402	1485	1773
4.22		Fork dimensions		s/e/l (mm)	50 x 120 x 1000		50 x 120 x 1000		50 x 120 x 1000		50 x 120 x 1200		
4.23		Fork carriage to DIN 15173. Class, A/B		IIIA		IIIA		IIIA		IIIA			
4.24		Fork carriage width ▶		b3 (mm)		1219		1219		1219			
4.31		Ground clearance under mast, laden		m1 (mm)		151		151		150			
4.32		Ground clearance at centre of wheelbase		m2 (mm)		194		194		194			
4.33		Aisle width with pallets 1000mm x 1200mm wide		Ast (mm)		4292		4292		4321			
4.34		Aisle width with pallets 800mm x 1200mm long		Ast (mm)		4492		4492		4521			
4.35	Outer turning radius		Wa (mm)		2570		2570		2599				
4.36	Inner turning radius		b13 (mm)		50		50		50				
Performance	5.1	Travel speed laden/unladen		km/h	18.7	19.5	23.4	24.4	21.8	22.8	18.7	19.5	
	5.2	Lifting speed laden/unladen		m/sec	0.61	0.63	0.61	0.63	0.61	0.63	0.61	0.63	
	5.3	Lowering speed laden/unladen		m/sec	0.55	0.47	0.55	0.47	0.55	0.47	0.55	0.47	
	5.5	Drawbar pull laden/unladen, @ 1.6km/h		N	24400	17500	29000	17500	29800	17500	24400	18000	
	5.6	Maximum drawbar pull laden/unladen		N	27600	16800	33500	16800	44200	16800	27500	16500	
	5.7	Gradeability laden/unladen, @ 4.8km/h		%	20.9	29.6	23.4	29.6	26.4	29.6	19.5	28.1	
	5.8	Maximum gradeability laden/unladen, @ 1.6km/h		%	27.1	29.6	32.7	29.6	42.0	29.6	25.4	28.1	
	5.10	Service brake		Hydraulic		Hydraulic		Hydraulic		Hydraulic			
	7.1	Engine manufacturer/type		GM 4.3L		GM 4.3L		GM 4.3L		GM 4.3L			
	7.2	Engine output, in accordance with ISO1585		kW	77		77		77		77		
7.3	Governed speed		rpm	2400		2400		2400		2400			
7.4	Number of cylinders/displacement		cm3	6	4302	6	4302	6	4302	6	4302		
7.5	Fuel consumption in accordance with VDI cycle		kg/h	5.2		5.2		TBA		5.3			
Other	8.1	Drive control		Hydrodynamic		Hydrodynamic		Hydrodynamic		Hydrodynamic			
	8.2	Working pressure for attachments		bar	155		155		155		155		
	8.3	Oil flow for attachments †		l/min	83.3		83.3		83.3		83.3		
	8.4	Average noise level at operator's ear ★ ■		dB(A)	82	80	82	80	82	80	82	80	
		Guaranteed sound power 2001/14/EC		105		105		105		105			
8.5	Towing coupling type		Pin		Pin		Pin		Pin				

★ Measured according to the test cycles and based on the weighting values contained in EN12053

■ 3dB(A) noise reduction with ECO-eLo mode engaged

† Variable

▲ Top of forks

✕ Full suspension seat in depressed position

▶ Add 32mm with load backrest

○ h6 subject to +/- 5mm tolerance

+ Without load backrest

Yale				Yale					Yale					1.1				
GLP 40 VX6				GLP 45 SVX5					GLP 45 VX6					1.2				
Value		Productivity		Value		Value		Productivity		Value		Value		Productivity				
GM 4.3L Techtronix 100X		GM 4.3L Techtronix 200X		GM 4.3L Techtronix 100		GM 4.3L Techtronix 100X		GM 4.3L Techtronix 200X		GM 4.3L Techtronix 100		GM 4.3L Techtronix 100X		GM 4.3L Techtronix 200X				
Drum or Oil Immersed		Oil Immersed		Drum		Drum or Oil Immersed		Oil Immersed		Oil Immersed		Oil Immersed		Oil Immersed				
LPG		LPG		LPG		LPG		LPG		LPG		LPG		LPG		1.3		
Seat		Seat		Seat		Seat		Seat		Seat		Seat		Seat		1.4		
4000		4000		4500		4500		4500		4500		4500		4500		1.5		
600		600		500		500		500		600		600		600		1.6		
522.1		522.1		522.1		522.1		522.1		590		590		590		1.8		
1830		1830		1830		1830		1830		2100		2100		2100		1.9		
6243		6243		6368		6368		6368		6939		6939		6939		2.1		
8999	1243	8999	1243	9095	1356	9095	1356	9095	1356	10265	1210	10265	1210	10265	1210	2.2		
2561	3682	2561	3682	2526	3842	2526	3842	2526	3842	3152	3787	3152	3787	3152	3787	2.3		
SE		SE		SE		SE		SE		SE		SE		SE		3.1		
250 x 15		250 x 15		250 x 15		250 x 15		250 x 15		300 x 15		300 x 15		300 x 15		3.2		
7.00 X 12		7.00 X 12		7.00 X 12		7.00 X 12		7.00 X 12		28 X 9-15		28 X 9-15		28 X 9-15		3.3		
2X / 2		2X / 2		2X / 2		2X / 2		2X / 2		2X / 2		2X / 2		2X / 2		3.5		
1152		1152		1152		1152		1152		1150		1150		1150		3.6		
1136		1136		1136		1136		1136		1136		1136		1136		3.7		
6	10	6	10	6	10	6	10	6	10	6	10	6	10	6	10	4.1		
2175		2175		2215		2215		2215		2215		2215		2215		4.2		
100		100		100		100		100		100		100		100		4.3		
3000		3000		2740		2740		2740		2740		2740		2740		4.4		
3815		3815		3730		3730		3730		3730		3730		3730		4.5		
2258		2258		2258		2258		2258		2300		2300		2300		4.7		
1159		1159		1159		1159		1159		1201		1201		1201		4.8		
429		429		429		429		429		472		472		472		4.12		
4176		4176		4197		4197		4197		4456		4456		4456		4.19		
2976		2976		2997		2997		2997		3256		3256		3256		4.20		
1402	1485	1773	1402	1485	1773	1402	1485	1773	1402	1485	1773	1450	1575	1875	1450	1575	1875	4.21
50 x 120 x 1200		50 x 120 x 1200		60 x 150 x 1200		60 x 150 x 1200		60 x 150 x 1200		60 x 150 x 1200		60 x 150 x 1200		60 x 150 x 1200		4.22		
IIIA		IIIA		IVA		IVA		IVA		IVA		IVA		IVA		4.23		
1219		1219		1219		1219		1219		1219		1219		1219		4.24		
150		150		194		194		194		194		194		194		4.31		
194		194		194		194		194		237		237		237		4.32		
4321		4321		4341		4341		4341		4627		4627		4627		4.33		
4521		4521		4541		4541		4541		4827		4827		4827		4.34		
2599		2599		2619		2619		2619		2837		2837		2837		4.35		
50		50		50		50		50		131		131		131		4.36		
23.3	24.4	21.8	22.8	18.7	19.5	23.3	24.4	21.8	22.8	18.2	18.5	22.7	23.2	22.7	23.2	5.1		
0.61	0.63	0.61	0.63	0.48	0.49	0.48	0.49	0.48	0.49	0.48	0.49	0.48	0.49	0.48	0.49	5.2		
0.55	0.47	0.55	0.47	0.51	0.42	0.51	0.42	0.51	0.42	0.51	0.42	0.51	0.42	0.51	0.42	5.3		
28900	18000	29800	18000	24300	17000	28800	17000	29800	17000	24500	21300	29100	21300	25800	21300	5.5		
33400	16500	44100	16500	27500	16300	33400	16300	44100	16300	28100	20200	34100	20200	39400	20200	5.6		
21.8	28.1	25.0	28.1	19.0	27.1	21.8	27.1	24.4	27.1	17.5	31.1	19.6	31.1	21.7	31.1	5.7		
30.5	28.1	39.1	28.1	24.8	27.1	29.8	27.1	38.2	27.1	22.9	31.1	27.5	31.1	30.1	31.1	5.8		
Hydraulic		Hydraulic		Hydraulic		Hydraulic		Hydraulic		Hydraulic		Hydraulic		Hydraulic		5.10		
GM 4.3L		GM 4.3L		GM 4.3L		GM 4.3L		GM 4.3L		GM 4.3L		GM 4.3L		GM 4.3L		7.1		
77		77		77		77		77		77		77		77		7.2		
2400		2400		2400		2400		2400		2400		2400		2400		7.3		
6	4302	6	4302	6	4302	6	4302	6	4302	6	4302	6	4302	6	4302	7.4		
5.3		TBA		5.5		5.5		TBA		5.7		5.7		TBA		7.5		
Hydrodynamic		Hydrodynamic		Hydrodynamic		Hydrodynamic		Hydrodynamic		Hydrodynamic		Hydrodynamic		Hydrodynamic		8.1		
155		155		155		155		155		155		155		155		8.2		
83.3		83.3		83.3		83.3		83.3		83.3		83.3		83.3		8.3		
82	80	82	80	82	80	82	80	82	80	80	80	80	80	80	80	8.4		
105		105		105		105		105		105		105		105				
Pin		Pin		Pin		Pin		Pin		Pin		Pin		Pin		8.5		

Specification sheet truck based on:
3050mm (GLP 40VX5-GLP 40VX6) / 2800mm (GLP 45SVX5-GLP 55VX)
Top of Forks 2 stage LFL mast with standard carriage, 1000mm (GLP 40VX5) / 1200mm (GLP 40VX6-GLP 55VX) forks with e-hydraulics.

VDI 2198 – General Specifications, LPG Powered GLP50VX, GLP55VX

				Yale					
Characteristics	1.1	Manufacturer	Yale						
	1.2	Model designation	GLP 50 VX						
		Model - Manufacturer Designation	Value		Value				
	1.3	Power Train - Engine Transmission	GM 4.3L Techtronix 100		GM 4.3L Techtronix 100X				
		Brake type	Oil Immersed		Oil Immersed				
	1.4	Operation: battery, diesel, LPG, electric mains	LPG		LPG				
	1.5	Operation: manual, pedestrian, stand, seat, order picker	Seat		Seat				
	1.6	Load capacity	Q (kg)	5000		5000			
	1.8	Load centre	c (mm)	600		600			
	1.9	Load distance	x (mm)	590		590			
1.9	Wheelbase	y (mm)	2100		2100				
Weights	2.1	Unladen weight	kg	7244		7244			
	2.2	Axle loading laden, front/rear	kg	10913	1320	10913	1320		
	2.3	Axle loading unladen, front/rear	kg	3089	4155	3089	4155		
Wheels & Tyres	3.1	Tyres: L = Pneumatic, V = Cushion, SE = Supercushion	SE		SE				
	3.2	Tyre size-front	300 x 15		300 x 15				
	3.3	Tyre size-rear	28 X 9-15		28 X 9-15				
	3.5	Number of wheels, front/rear (X = driven)	2X / 2		2X / 2				
	3.6	Track width, front	b10 (mm)	1150		1150			
	3.7	Track width, rear	b11 (mm)	1136		1136			
	Dimensions	4.1	Mast tilt, forward α /back β	degrees	6	10	6	10	
4.2		Height of mast, lowered	h1 (mm)	2215		2215			
4.3		Free lift ▲	h2 (mm)	100		100			
4.4		Lift height ▲	h3 (mm)	2740		2740			
4.5		Height of mast, extended +	h4 (mm)	3730		3730			
4.7		Height to top of overhead guard ○	h6 (mm)	2300		2300			
4.8		Seat height ✕	h7 (mm)	1201		1201			
4.12		Towing coupling height	h10 (mm)	472		472			
4.19		Overall length	l1 (mm)	4499		4499			
4.20		Length to face of forks	l2 (mm)	3299		3299			
4.21		Overall width, (Standard/Wide/Dual)	b1/b2 (mm)	1450	1575	1875	1450	1575	1875
4.22		Fork dimensions	s/e/l (mm)	60 x 150 x 1200		60 x 150 x 1200			
4.23		Fork carriage to DIN 15173. Class, A/B		IVA		IVA			
4.24		Fork carriage width ▶	b3 (mm)	1219		1219			
4.31		Ground clearance under mast, laden	m1 (mm)	194		194			
4.32		Ground clearance at centre of wheelbase	m2 (mm)	237		237			
4.33		Aisle width with pallets 1000mm x 1200mm wide	Ast (mm)	4667		4667			
4.34		Aisle width with pallets 800mm x 1200mm long	Ast (mm)	4867		4867			
4.35		Outer turning radius	Wa (mm)	2877		2877			
4.36		Inner turning radius	b13 (mm)	131		131			
Performance	5.1	Travel speed laden/unladen	km/h	18.2	18.5	22.7	23.2		
	5.2	Lifting speed laden/unladen	m/sec	0.48	0.49	0.48	0.49		
	5.3	Lowering speed laden/unladen	m/sec	0.51	0.42	0.51	0.42		
	5.5	Drawbar pull laden/unladen, @ 1.6km/h	N	24400	20900	29000	20900		
	5.6	Maximum drawbar pull laden/unladen	N	28000	20000	34000	20000		
	5.7	Gradeability laden/unladen, @ 4.8km/h	%	16.3	29.4	18.3	29.4		
	5.8	Maximum gradeability laden/unladen, @ 1.6km/h	%	21.3	29.4	25.5	29.4		
	5.10	Service brake		Hydraulic		Hydraulic			
	7.1	Engine manufacturer/type		GM 4.3L		GM 4.3L			
	Motor	7.2	Engine output, in accordance with ISO1585	kW	77		77		
7.3		Governed speed	rpm	2400		2400			
7.4		Number of cylinders/displacement	cm3	6	4302	6	4302		
7.5		Fuel consumption according to VDI cycle	kg/h	5.9		5.9			
Other		8.1	Drive control		Hydrodynamic		Hydrodynamic		
	8.2	Working pressure for attachments	bar	155		155			
	8.3	Oil flow for attachments †	l/min	83.3		83.3			
	8.4	Average noise level at operator's ear ★ ■	dB(A)	80	80	80	80		
		Guaranteed sound power 2001/14/EC		105		105			
	8.5	Towing coupling type		Pin		Pin			

★ Measured according to the test cycles and based on the weighting values contained in EN12053
 ■ 3dB(A) noise reduction with ECO-eLo mode engaged

† Variable
 ▲ Top of forks
 ✕ Full suspension seat in depressed position

▶ Add 32mm with load backrest
 ○ h6 subject to +/- 5mm tolerance
 + Without load backrest

										Yale			1.1
										GLP 55 VX			1.2
Productivity			Value			Value			Productivity				
GM 4.3L Techtronix 200X			GM 4.3L Techtronix 100			GM 4.3L Techtronix 100X			GM 4.3L Techtronix 200X				
Oil Immersed			Oil Immersed			Oil Immersed			Oil Immersed				
LPG			LPG			LPG			LPG			1.3	
Seat			Seat			Seat			Seat			1.4	
5000			5500			5500			5500			1.5	
600			600			600			600			1.6	
590			590			590			590			1.8	
2100			2100			2100			2100			1.9	
7244			7529			7529			7529			2.1	
10913	1320		11555	1417		11555	1417		11555	1417		2.2	
3089	4155		3016	4513		3016	4513		3016	4513		2.3	
SE			SE			SE			SE			3.1	
300 x 15			300 x 15			300 x 15			300 x 15			3.2	
28 X 9-15			28 X 9-15			28 X 9-15			28 X 9-15			3.3	
2X / 2			2X / 2			2X / 2			2X / 2			3.5	
1150			1150			1150			1150			3.6	
1136			1136			1136			1136			3.7	
6	10		6	10		6	10		6	10		4.1	
2215			2215			2215			2215			4.2	
100			100			100			100			4.3	
2740			2740			2740			2740			4.4	
3730			3730			3730			3730			4.5	
2300			2300			2300			2300			4.7	
1201			1201			1201			1201			4.8	
472			472			472			472			4.12	
4499			4540			4540			4540			4.19	
3299			3340			3340			3340			4.20	
1450	1575	1875	1450	1575	1875	1450	1575	1875	1450	1575	1875	4.21	
60 x 150 x 1200			60 x 150 x 1200			60 x 150 x 1200			60 x 150 x 1200			4.22	
IVA			IVA			IVA			IVA			4.23	
1219			1219			1219			1219			4.24	
194			194			194			194			4.31	
237			237			237			237			4.32	
4667			4705			4705			4705			4.33	
4867			4905			4905			4905			4.34	
2877			2915			2915			2915			4.35	
131			131			131			131			4.36	
22.7	23.2		18.2	18.5		22.7	23.2		22.7	23.2		5.1	
0.48	0.49		0.48	0.49		0.48	0.49		0.48	0.49		5.2	
0.51	0.42		0.51	0.42		0.51	0.42		0.51	0.42		5.3	
25800	20900		24200	20600		28800	20600		25800	20600		5.5	
39400	20000		28000	19700		34000	19700		39400	19700		5.6	
20.1	29.4		16.5	27.7		18.6	27.7		20.4	27.7		5.7	
26.4	29.4		21.7	27.7		26.1	27.7		28.5	27.7		5.8	
Hydraulic			Hydraulic			Hydraulic			Hydraulic			5.10	
GM 4.3L			GM 4.3L			GM 4.3L			GM 4.3L			7.1	
77			77			77			77			7.2	
2400			2400			2400			2400			7.3	
6	4302		6	4302		6	4302		6	4302		7.4	
TBA			6.2			6.2			TBA			7.5	
Hydrodynamic			Hydrodynamic			Hydrodynamic			Hydrodynamic			8.1	
155			155			155			155			8.2	
83.3			83.3			83.3			83.3			8.3	
80	80		80	80		80	80		80	80		8.4	
105			105			105			105				
Pin			Pin			Pin			Pin			8.5	

Specification sheet truck based on:
3050mm (GLP 40VX5-GLP 40VX6) / 2800mm (GLP 45SVX5-GLP 55VX)
Top of Forks 2 stage LFL mast with standard carriage, 1000mm (GLP 40VX5) / 1200mm (GLP 40VX6-GLP 55VX) forks with e-hydraulics.

VX Series

Models: GDP/GLP 40VX5, 40VX6, 45SVX5, 45VX6, 50VX, 55VX

Yale Veracitor VX Series

This series of trucks is available in three configurations.

The Veracitor Base truck offers first-rate performance across a wide range of applications, geared to minimise cost of acquisition without compromising performance.

The Veracitor Value truck provides excellent performance for standard and medium-duty applications, optimised for lowest hourly operation cost.

The Veracitor Productivity truck delivers maximum performance for medium to heavy-duty applications with state-of-the-art features and industry leading power.

LPG Engines

Yale Veracitor VX GM V-6 engines feature a rigid cast iron block and main bearing caps. Nodular iron crankshaft is supported on four main bearings. Camshaft is cast iron. Hydraulic valve lifters are utilised to eliminate the need for manual adjustment.

All GM engines include hardened intake and exhaust valve seats with stellite coated valves for superior durability. The GM engine also features an electronic throttle for precise performance and control.

Fuel System:

The GM LP engine uses sequential port fuel injection and a vaporizer/regulator to convert the fuel from a liquid to a gas for vapour injection.

The Engine Control Unit electronically regulates the fuel, air, and spark advance to provide the necessary torque. The engine control unit's inputs include manifold air pressure, manifold air temperature, engine coolant temperature, accelerator pedal position, throttle position, engine speed, cam signal, and oxygen sensor signal.

Diesel Engines

Base models feature the new Kubota V3600 4-cylinder IDI-T mechanically controlled turbocharged diesel engine with 57kW, for use in those markets where EU diesel exhaust standards are not currently applied. The engine will only operate with category 1 diesel fuel which contains sulphur levels of over 500ppm. It is not compatible with low or Ultra-low sulphur diesel. This

mechanically controlled engine is combined with a new electronic powershift transmission, available with one or two speeds and Cowl Mounted Mechanical Levers. Engine rpm, coolant temperature and oil pressure are monitored by the VSM.

Value and Productivity models feature the new Kubota V3800 E3 turbocharged diesel engine, delivering power of 55 kW at 2200 rpm.

Fuel System:

The new Kubota V3800 engine is equipped with a cooled Exhaust Gas Recirculation (EGR) system which reduces the NOx emissions by recirculating a part of the exhaust gases back into the engine to directly reduce NOx inside the engine. The EGR is self-contained and avoids the need for any fuel additive. It requires the use of Low (<500ppm) or Ultra-Low (<15ppm) sulphur fuel - Diesel fuel with a higher sulphur content will compromise emissions performance and result in damage to EGR system components. The engine also features a high pressure common rail fuel system, which dramatically reduces engine noise while providing more responsive power and better fuel efficiency at every rpm.

Load Sensing Hydraulics

Load Sensing Hydraulics (LSH), where available, deliver increased operational efficiency, offering a 15% reduction in fuel consumption on the VDI cycle, with no loss in productivity*. Variable displacement piston pumps match the flow rate and lifting speed continuously to the demands of the duty cycle. The engine therefore supplies only power to the hydraulic pumps when required, so more power is available for driving. This provides increased responsiveness and acceleration, which increases productivity and lowers fuel consumption, reducing overall operating costs.

LSH also offers an ECO-eLo (Fuel Efficiency) mode, reducing engine speed by 20% and optimising throttle response, so that the truck operates in the most economical power range. This results in a reduction in fuel consumption of up to 20%* but has a limited effect on overall truck productivity under application conditions. The ECO-eLo mode also delivers lower noise levels by up to

3dB(A). If a faster work rate, or higher productivity is required, the truck can easily be reprogrammed to HiP (High Performance) mode of operation through the dash display, with access secured by a unique customer password.

Transmission

Five transmission selections are available with multiple engine configurations for a wide variety of material handling applications.

A single pedal controls both inching and braking, optional dual inch/brake pedals are available if preferred. A 100 mesh suction and a 10 micron return line filtration protect the transmission from abrasive contaminants.

- The Kubota V3600 engine is available with a Standard Electronic Powershift transmission only, featuring either one or two speeds.
- **The Techtronix 100** features electronic inching, Auto Deceleration System (ADS) through the controlled application of clutch packs to slow the truck down without the need to apply the foot brake. Controlled Power Reversal (CPR) reduces tyre spin by precisely regulating engine speed during full power reversal situations and Controlled Roll-Back (CRB) limits roll-back on gradients to 75mm per second.
- **The Techtronix 100X** has all the Techtronix 100 features, plus Two Speed Auto Shift (2 x forward, 1 x reverse) and Extended Draw Bar Pull.
- **The Techtronix 200X** has all the Techtronix 100X features, Dynamic Auto Deceleration System (DADS), plus Auto Speed Hydraulics with Automatic Inching Control. This automatically increases engine RPM as hydraulic functions are actuated, while maintaining control over vehicle speed. The throttle response management feature provides travel speed as a direct result of pedal position, improving truck control.

Cooling System

The cooling system employs a 43cm blade pusher-type fan. A permanently lubricated water pump and a high capacity, cross-flow radiator ensure rapid heat dissipation. The sealed cooling system operates at 15 psi, the coolant recovery tank allows visual

VX Series

Models: GDP/GLP 40VX5, 40VX6, 45SVX5, 45VX6, 50VX, 55VX



Brakes

Brakes are duo-servo hydraulic, self-energising, and automatic adjusting drum brake assemblies. Asbestos-free brake linings are bonded to steel shoes operating in cast iron drums on the Base and Value models. The 4500kg @ 600mm load centres and the 5000kg and 5500kg capacities have oil immersed brakes as standard. The single circuit master cylinder has sealed fluid reservoir and features a fluid level sensor which activates an indicator light on the instrument panel.

Hydraulic Power Steering

Hydrostatic steering provides responsive control and eliminates mechanical linkages for reduced surface shock and simplified maintenance. The steering wheel is 30cm in diameter with a textured surface grip and spinner knob, and requires only four turns lock-to-lock. The centre mounted steer cylinder is located within the confines of the steer axle for protection.

Steer Axle

Constructed from cast steel, the steer axle is rubber shock mounted to the frame for reduced wear and vibration. The CSE (Continuous Stability Enhancement) system enhances lateral truck stability through reduced steer axle articulation, while simultaneously allowing uncompromised uneven surface travel.

Operator's Compartment

All trucks are available with a new mini-lever armrest, which features a new contoured design, and - in addition to the hydraulic functions - features a horn and direction switch, ensuring that all key truck functions are within constant, easy reach.

The new FLM80 Full Suspension Seat together with the isolated powertrain provide best in class Whole-Body Vibration levels of 0.6m/s², ensuring that the operator remains comfortable throughout the shift and fatigue, aches and pains are kept to a minimum.

Automotive-style pedal arrangement with a large, single inch/brake pedal is standard.

Intellix Vehicle System Management (VSM)

VSM acts as a master truck controller, providing extensive monitoring and control of truck functions and systems.



inspection of coolant level. The combicooler radiator features an externally mounted transmission oil cooler for increased heat transfer capability. All radiators are soft mounted for durability.

Drive Axle

The drive axle is designed to withstand heavy-duty applications and absorb

shock loads. It is a "self contained" assembly isolated from the transmission by a heavy-duty rubber isolator. The axle shafts utilise a "rolled fillet" root spline design for increased resistance to torsion stress. A magnetic sump plug collects any metal particles circulating in the axle oil to prevent component wear.

VX Series

Models: GDP/GLP 40VX5, 40VX6, 45SVX5, 45VX6, 50VX, 55VX



CANbus technology reduces wiring complexity and enables communications between truck systems. The dash display transmits continual feedback to the operator and allows communication of service codes. On-board diagnostics enable quick and easy troubleshooting. The electrical system features sealed connectors and Hall Effect sensors for superior dependability.

Hydraulic System

Hydraulic system incorporates a gear type pump with cast iron body for quiet efficiency. The system is protected from overloads by a main relief valve for the lift circuit and secondary relief valve for tilt and auxiliary functions. Oil is double filtered through a 100 mesh suction line strainer and 10 micron return line filter. Hydraulic tank is integrated into the frame.

For Accutouch electrohydraulic controls, an emergency lowering valve is provided to allow the load to be lowered in the event of power loss. O-ring face seal fittings are used in all high pressure hydraulic connections.

(*Yale Productivity Test Cycle: Load Sensing Hydraulics and ECO-eLo functions are available on trucks with Accutouch mini-levers and Techtronix transmissions only).



Yale 

NACCO Materials Handling Limited trading as Yale Europe Materials Handling
Flagship House, Reading Road North, Fleet, Hampshire GU51 4WD, United Kingdom.
Tel: + 44 (0) 1252 770700 Fax: + 44 (0) 1252 770784
www.yale-forklifts.eu

Country of Registration: England. Company Registration Number: 02636775

CE



Safety. This truck conforms to the current EU requirements. Specification is subject to change without notice.

Publication part no. 290000244 Rev. 09
Printed in The United Kingdom (0212HG) EN

Yale is a registered trade mark.
© Yale Europe Materials Handling 2012. All rights reserved.

Truck shown with optional equipment